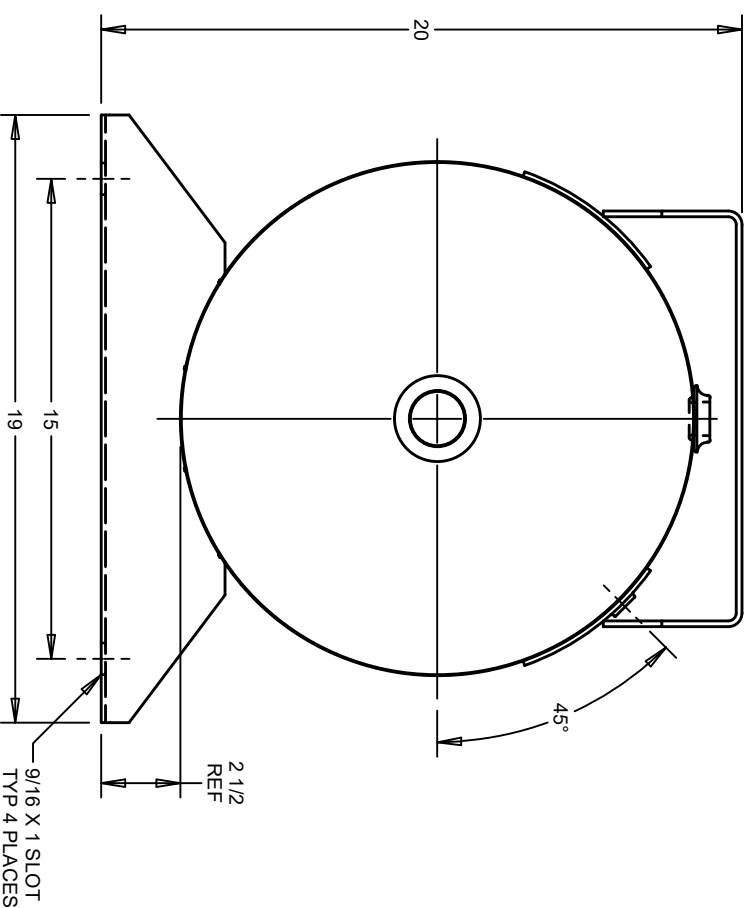
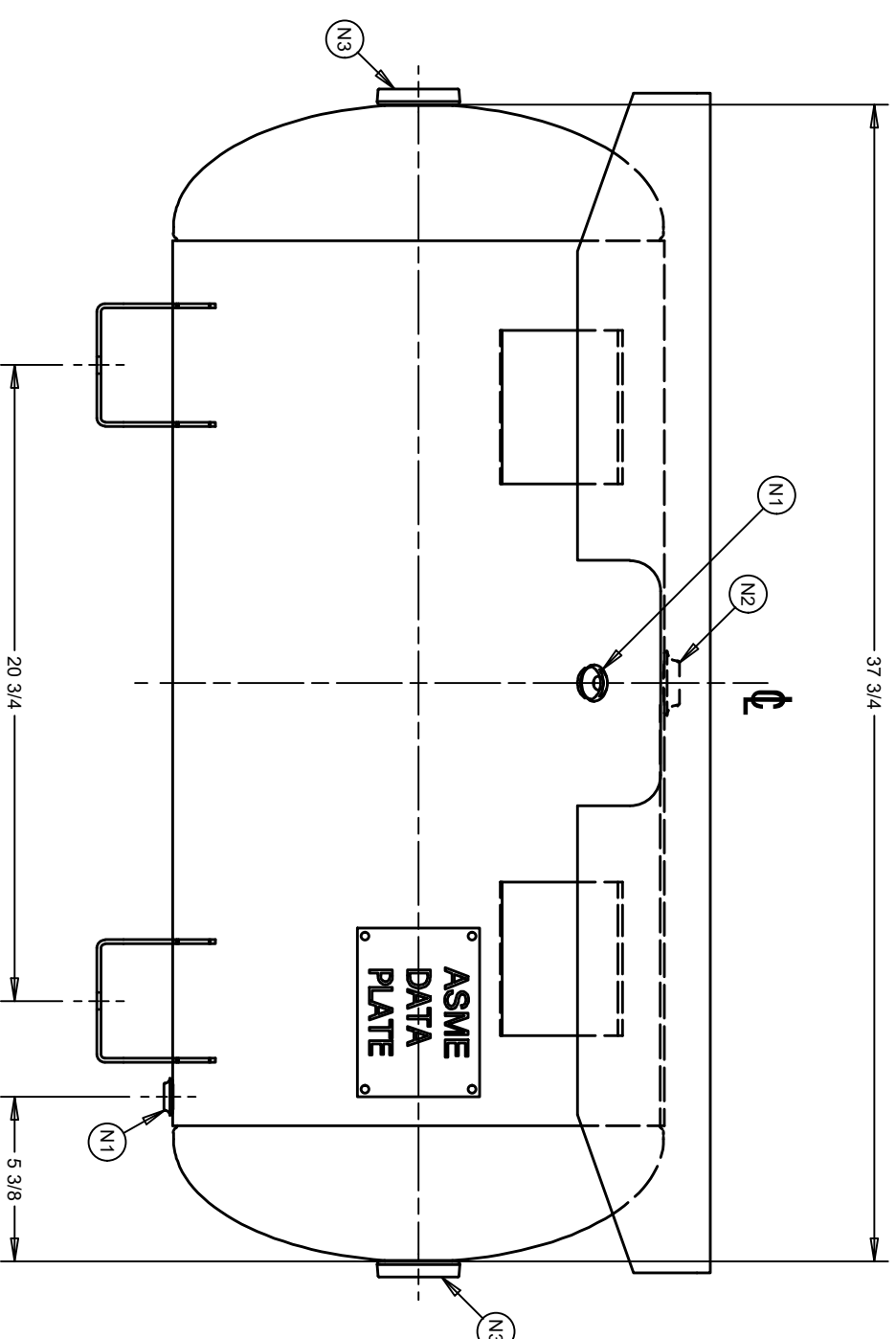
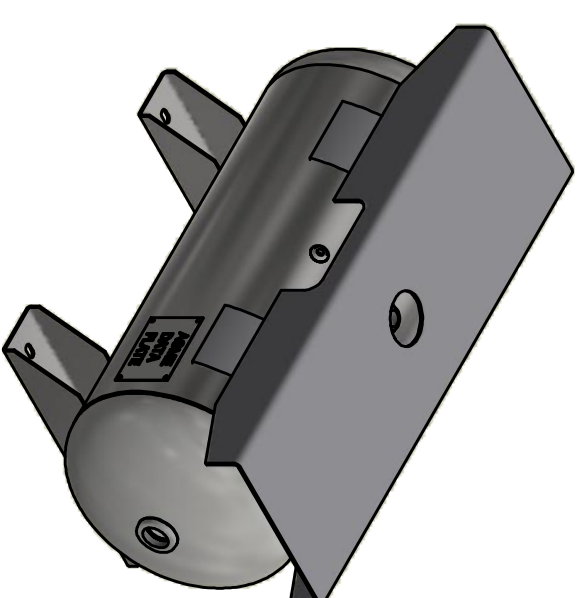


NOZZLE CHART	
NOZZLE ID	NPT SIZE
N1	1/4
N2	3/4
N3	1 1/2



DESIGN INFORMATION		VALUE
SPECIFICATION		
DIAMETER O.D./I.D.		16 O.D.
MAWP		200 PSI AT 450°F
MDMT		-20°F AT 200 PSI
CAPACITY		APPROX 30 GALLONS
SHIPPING WEIGHT		140 LBS
CRN		L4032.5C

TITLE
HORIZONTAL AIR RECEIVER



CUSTOMER
STOCK

DRAWN	CHECKED	DRAWING NO	REV
KAT	DMM	A10039	C11

REV	DESCRIPTION	BY	DATE
C11	ISSUED		

(BUILT IN ACCORDANCE WITH LATEST EDITION OF SECTION VIII DIV 1 ASME CODE)
THIS DRAWING & SPECIFICATIONS ARE PROPERTY OF SPVG AND MAY NOT BE COPIED, REPRODUCED, OR USED IN WHOLE OR PART, AS A BASIS FOR DESIGN MANUFACTURE OR SALE WITHOUT PRIOR PERMISSION FROM SPVG.