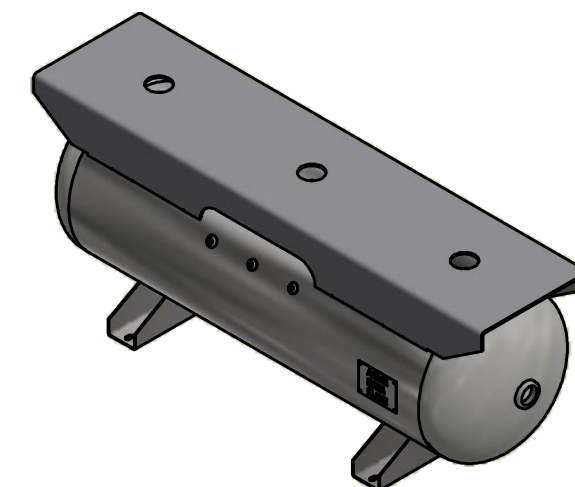
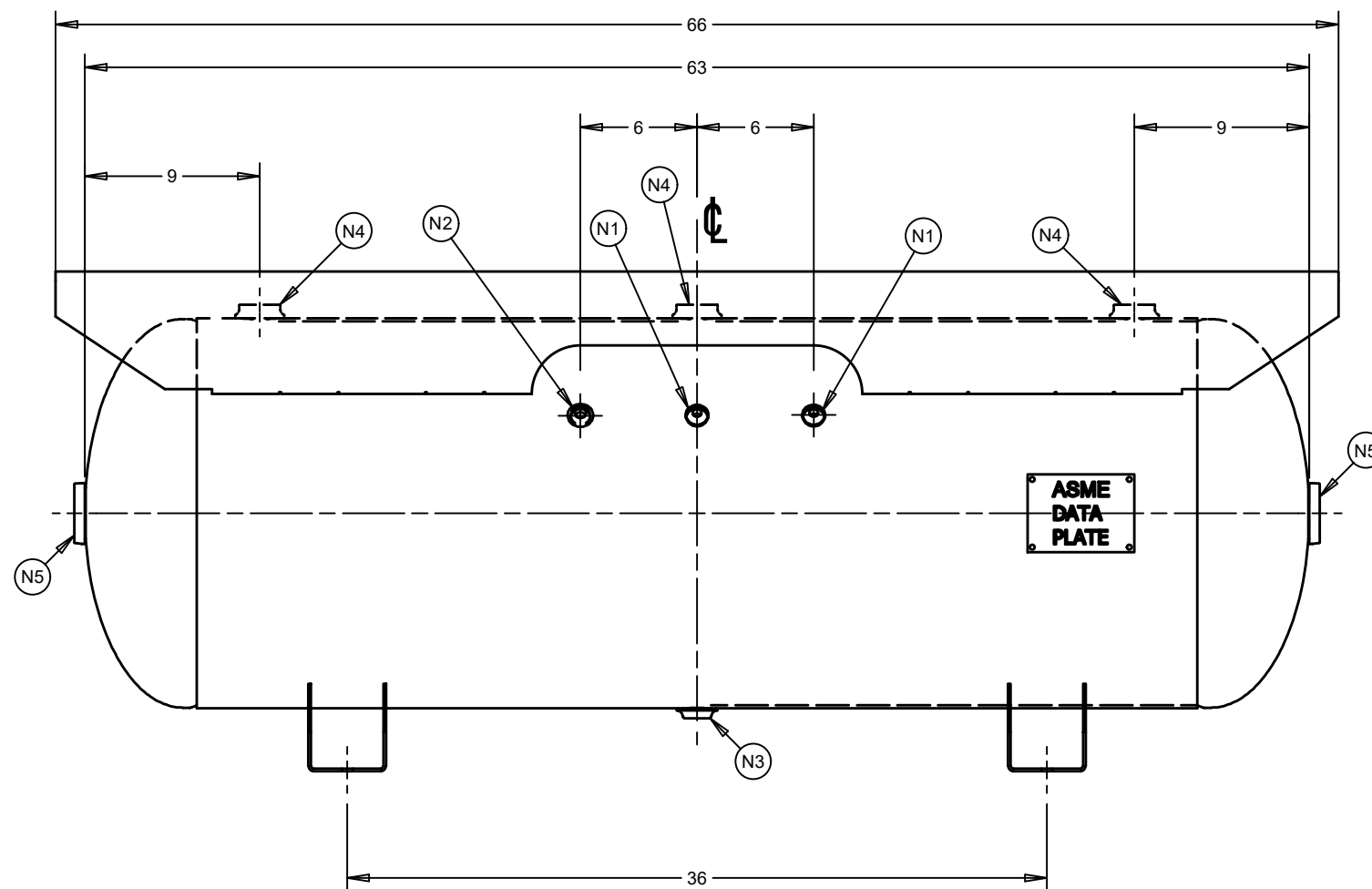
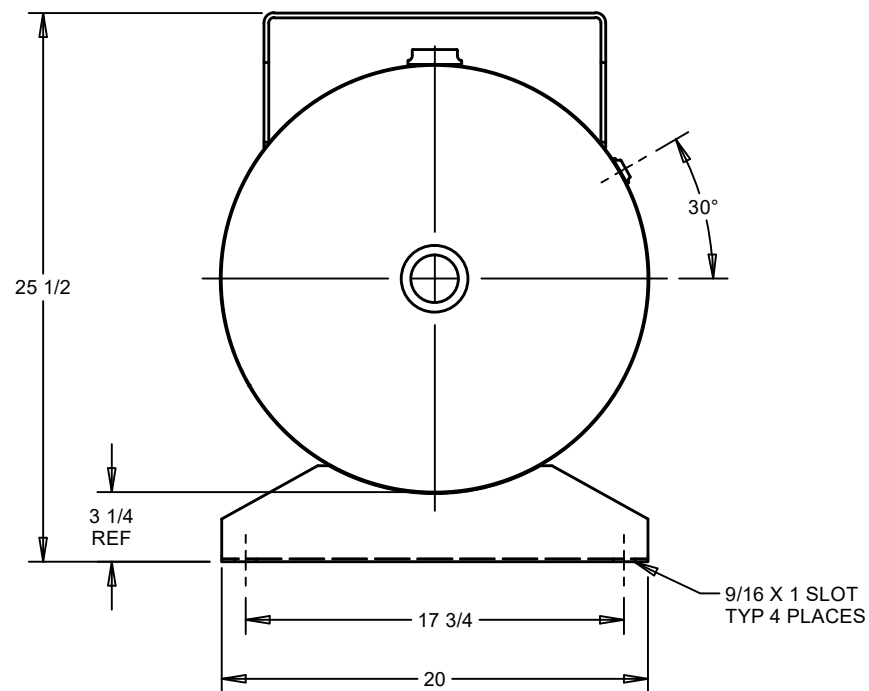


NOZZLE CHART	
NOZZLE ID	NPT SIZE
N1	1/4
N2	3/8
N3	3/4
N4	1 1/4
N5	2



DESIGN INFORMATION	
SPECIFICATION	VALUE
DIAMETER O.D./I.D.	20 O.D.
MAWP	200 PSI AT 450°F
MDMT	-20°F AT 200 PSI
CAPACITY	APPROX 80 GALLONS
SHIPPING WEIGHT	322 LBS
CRN	L4033.5C

TITLE HORIZONTAL AIR RECEIVER		DRAWN KAT		CHECKED DMM		DRAWING NO A10138		REV C12	
CUSTOMER STOCK		DATE 10/5/2016		DATE 10/14/2016		SIZE: B		SHEET 1 OF 1	
ASME									

REV	DESCRIPTION	BY	DATE
C12	ISSUED		

(BUILT IN ACCORDANCE WITH LATEST EDITION OF SECTION VIII DIV 1 ASME CODE)

THIS DRAWING & SPECIFICATIONS ARE PROPERTY OF SPVG AND MAY NOT BE COPIED, REPRODUCED, OR USED IN WHOLE OR PART, AS A BASIS FOR DESIGN MANUFACTURE OR SALE WITHOUT PRIOR PERMISSION FROM SPVG.