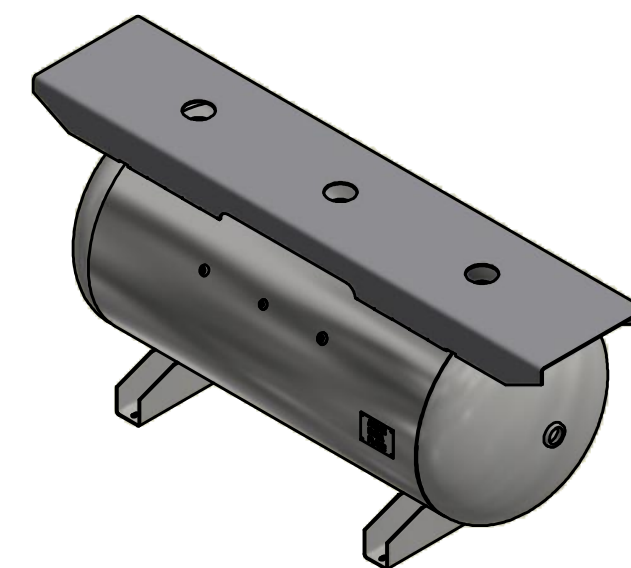
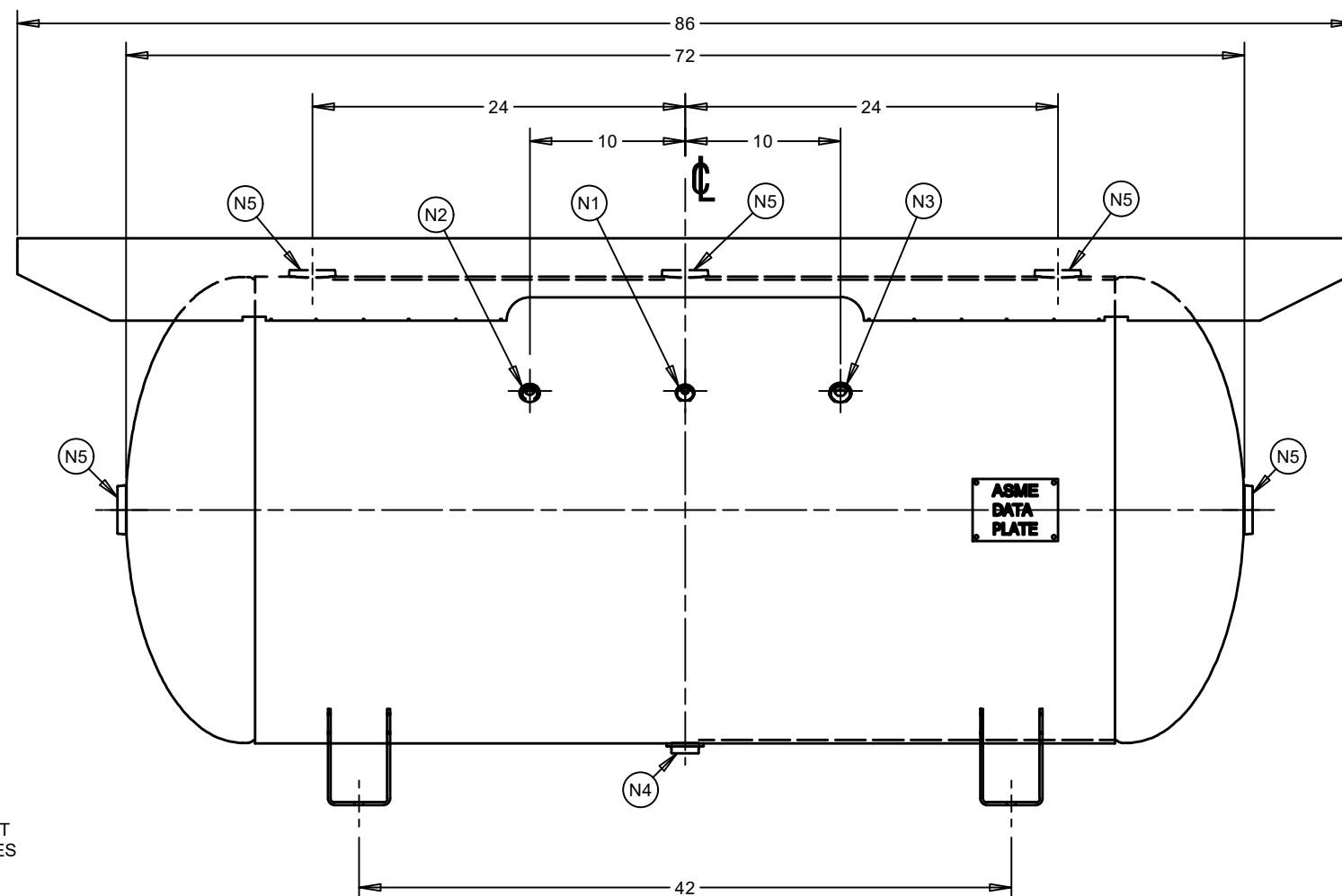
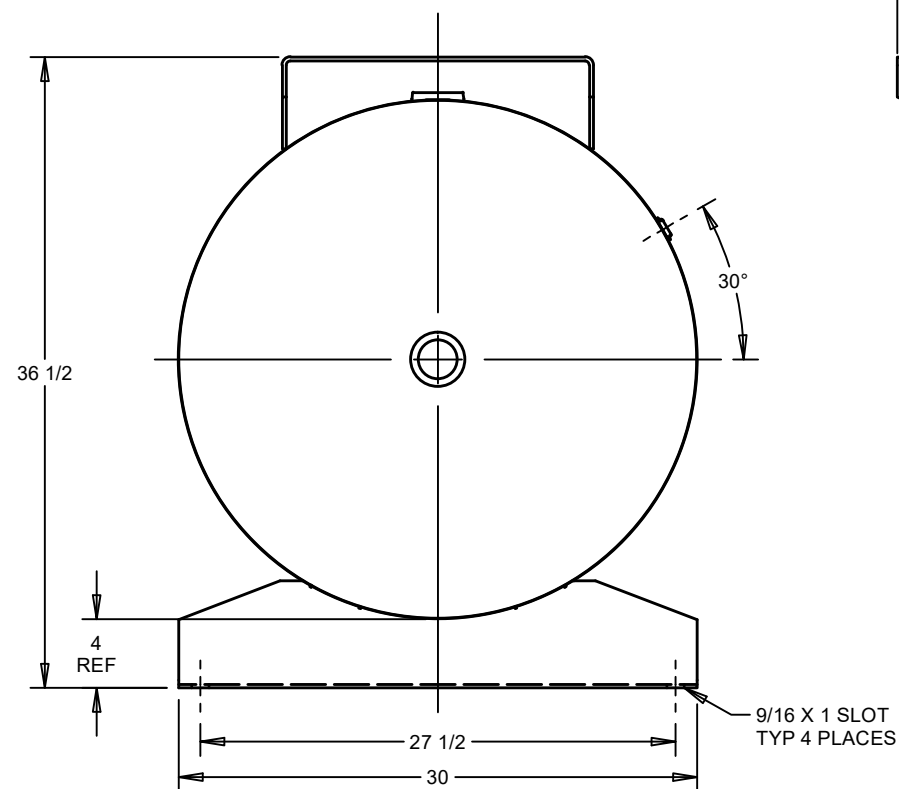


NOZZLE CHART	
NOZZLE ID	NPT SIZE
N1	1/4
N2	3/8
N3	1/2
N4	1
N5	2



DESIGN INFORMATION	
SPECIFICATION	VALUE
DIAMETER O.D./I.D.	30 O.D.
MAWP	200 PSI AT 400°F
MDMT	-20°F AT 200 PSI
CAPACITY	APPROX 200 GALLONS
SHIPPING WEIGHT	626 LBS
CRN	L4036.5C

(BUILT IN ACCORDANCE WITH LATEST EDITION OF SECTION VIII DIV 1 ASME CODE)

THIS DRAWING & SPECIFICATIONS ARE PROPERTY OF SPVG AND MAY NOT BE COPIED, REPRODUCED, OR USED IN WHOLE OR PART, AS A BASIS FOR DESIGN MANUFACTURE OR SALE WITHOUT PRIOR PERMISSION FROM SPVG.

B12	ISSUED		
REV	DESCRIPTION	BY	DATE

TITLE HORIZONTAL AIR RECEIVER			
CUSTOMER STOCK		DRAWN KAT	CHECKED DMM
TYPE ASME		DRAWING NO A10140	REV B12
SIZE: B		SHEET 1 OF 1	