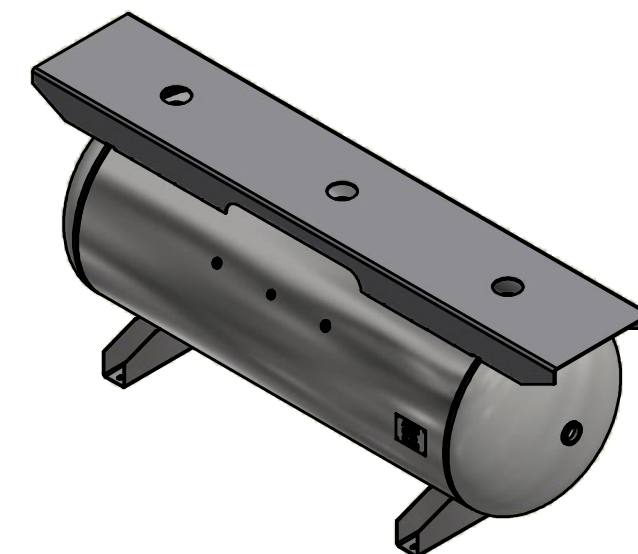
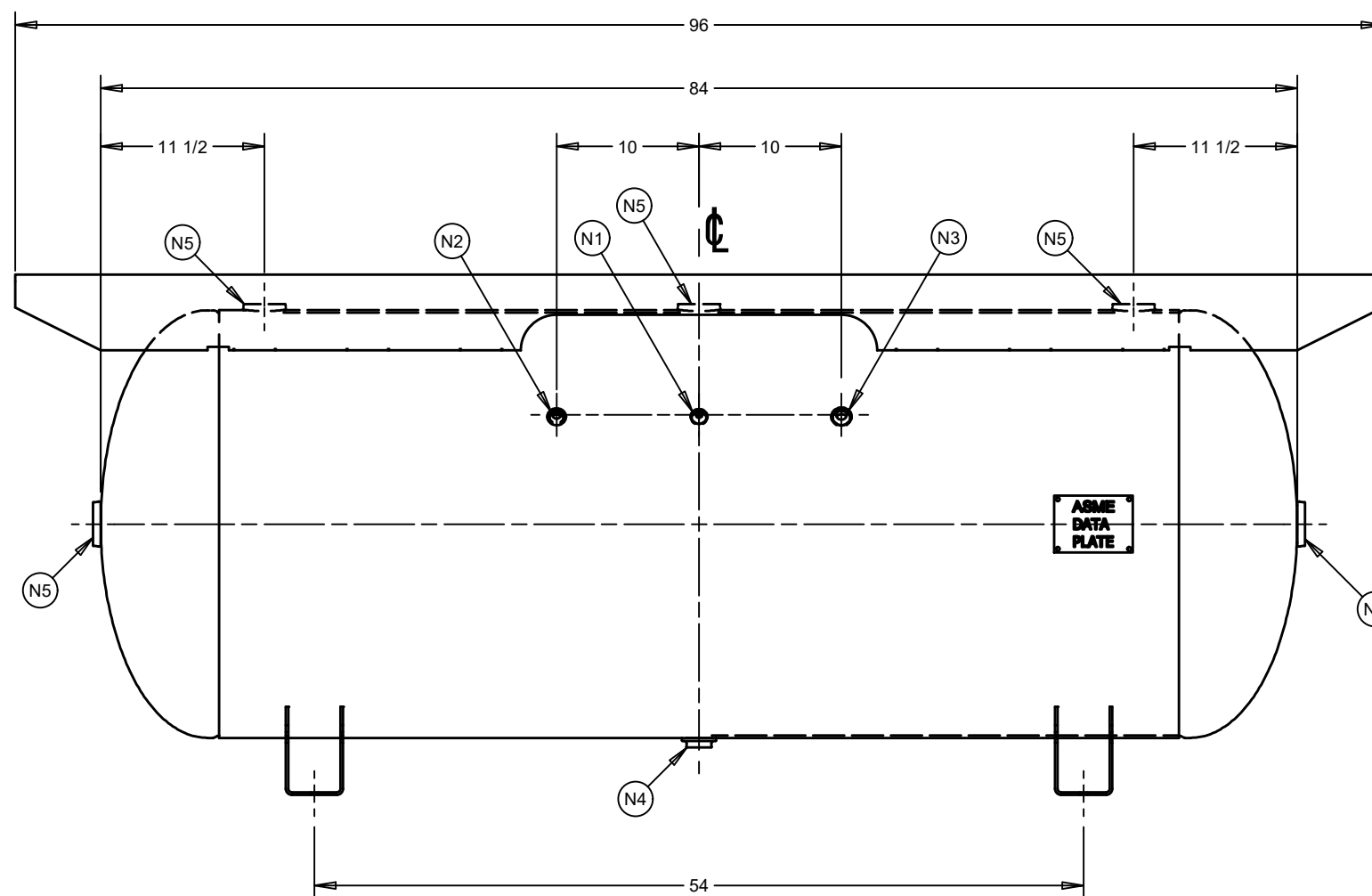
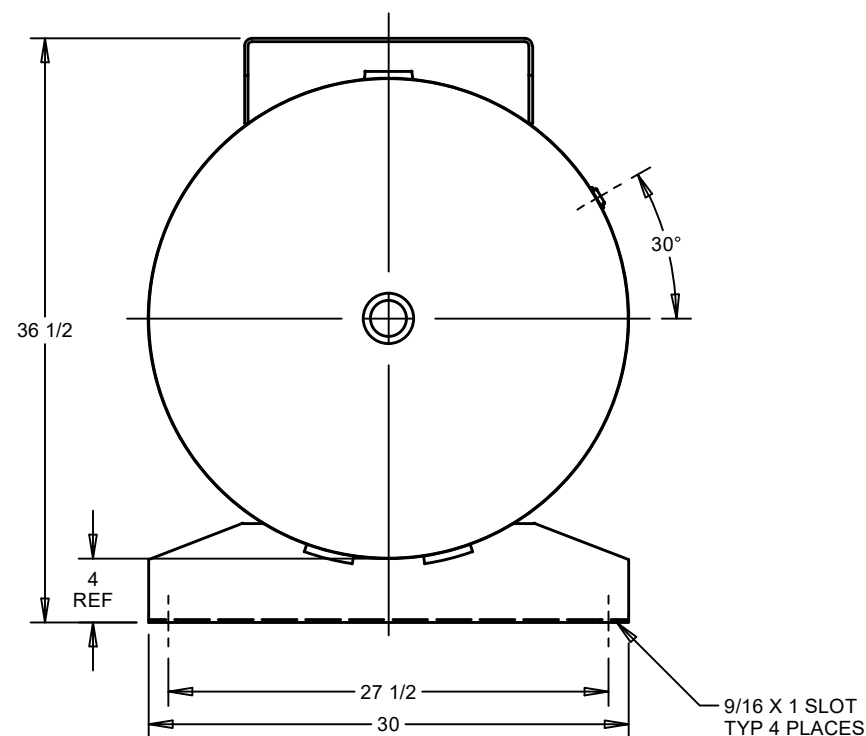


| NOZZLE CHART | |
|--------------|----------|
| NOZZLE ID | NPT SIZE |
| N1 | 1/4 |
| N2 | 3/8 |
| N3 | 1/2 |
| N4 | 1 |
| N5 | 2 |



| DESIGN INFORMATION | |
|--------------------|--------------------|
| SPECIFICATION | VALUE |
| DIAMETER O.D./I.D. | 30 O.D. |
| MAWP | 200 PSI AT 400°F |
| MDMT | -20°F AT 200 PSI |
| CAPACITY | APPROX 240 GALLONS |
| SHIPPING WEIGHT | 727 LBS |
| CRN | L4036.5C |

| | | | | | |
|---|--|--------------------------|---------------------------|----------------------|--|
| TITLE HORIZONTAL AIR RECEIVER | | | | | |
| CUSTOMER STOCK | | | | | |
| TYPE ASME | | DATE 9/21/2016 | DATE 10/14/2016 | SIZE: B SHEET 1 OF 1 | |

(BUILT IN ACCORDANCE WITH LATEST EDITION OF SECTION VIII DIV 1 ASME CODE)

THIS DRAWING & SPECIFICATIONS ARE PROPERTY OF SPVG AND MAY NOT BE COPIED, REPRODUCED, OR USED IN WHOLE OR PART, AS A BASIS FOR DESIGN MANUFACTURE OR SALE WITHOUT PRIOR PERMISSION FROM SPVG.

| REV | DESCRIPTION | BY | DATE |
|-----|-------------|----|------|
| B10 | ISSUED | | |