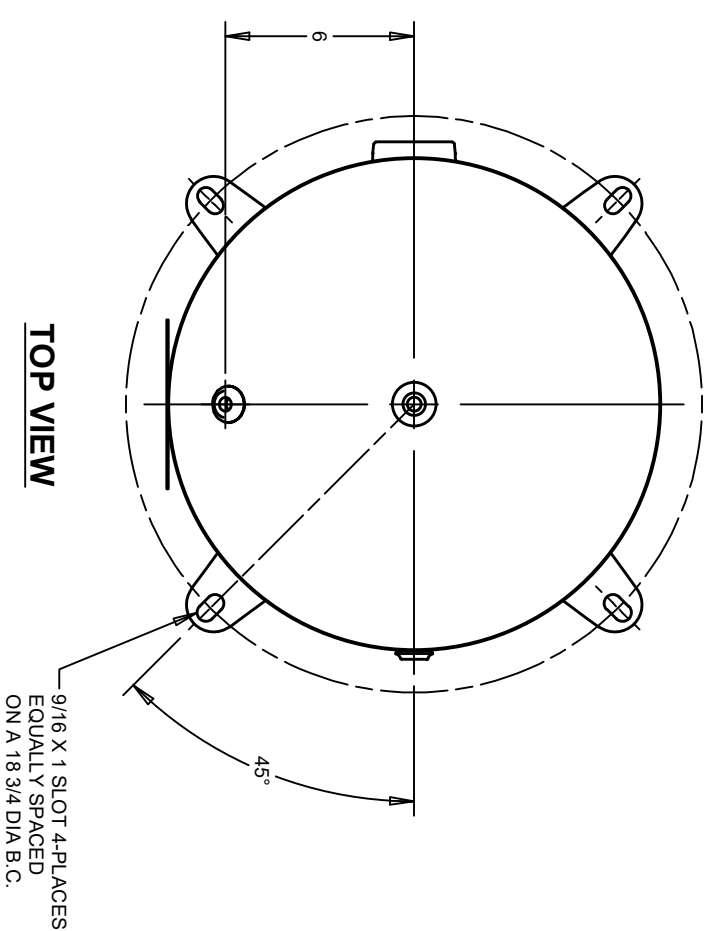
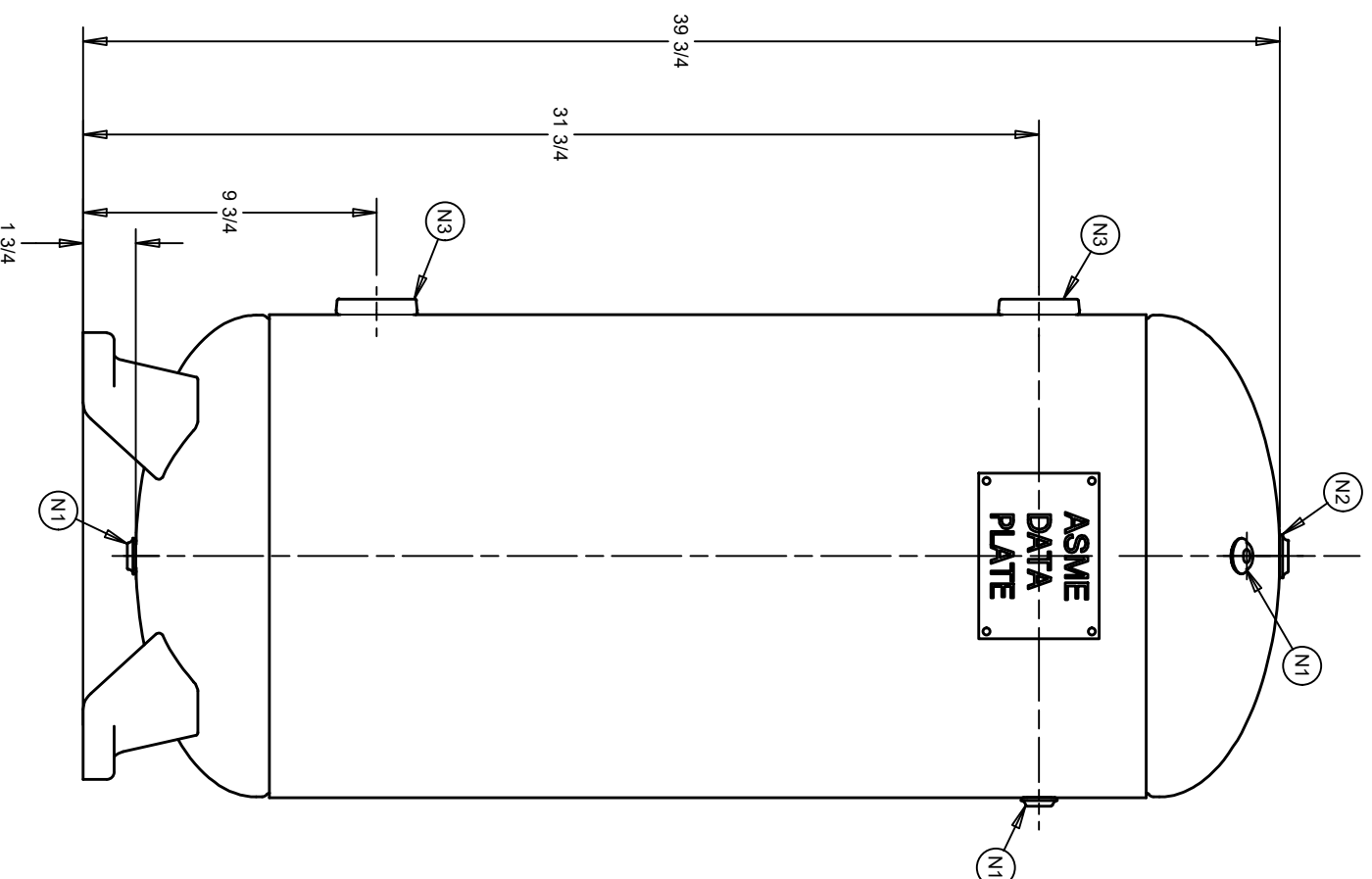
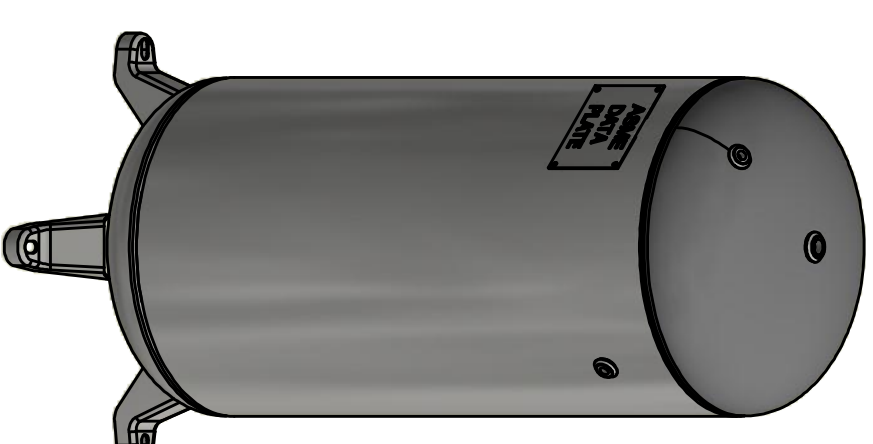


NOZZLE CHART	
NOZZLE ID	NPT SIZE
N1	1/4
N2	1/2
N3	1 1/2



TOP VIEW

DESIGN INFORMATION	
SPECIFICATION	VALUE
DIAMETER O.D./I.D.	16 O.D.
MAWP	200 PSI AT 400°F
MDMT	-20°F AT 200 PSI
CAPACITY	APPROX 30 GALLONS
SHIPPING WEIGHT	84 LBS
CRN	L4032.5C

TITLE
VERTICAL AIR RECEIVER



CUSTOMER
STOCK

DRAWN	CHECKED	DRAWING NO	REV
KAT	DMM	A10040	C17

REV	DESCRIPTION	BY	DATE
C17	ISSUED		

(BUILT IN ACCORDANCE WITH LATEST EDITION OF SECTION VIII DIV 1 ASME CODE)

THIS DRAWING & SPECIFICATIONS ARE PROPERTY OF SPVG AND MAY NOT BE COPIED, REPRODUCED, OR USED IN WHOLE OR PART, AS A BASIS FOR DESIGN MANUFACTURE OR SALE WITHOUT PRIOR PERMISSION FROM SPVG.