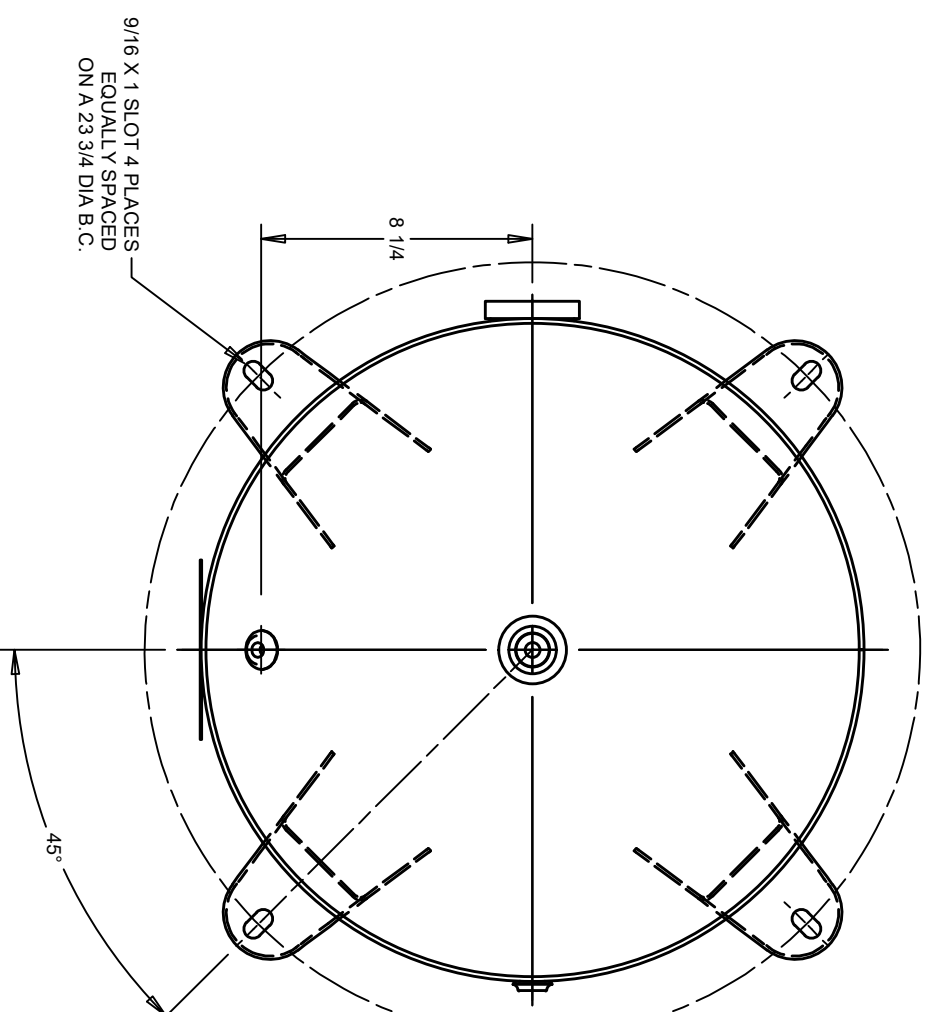
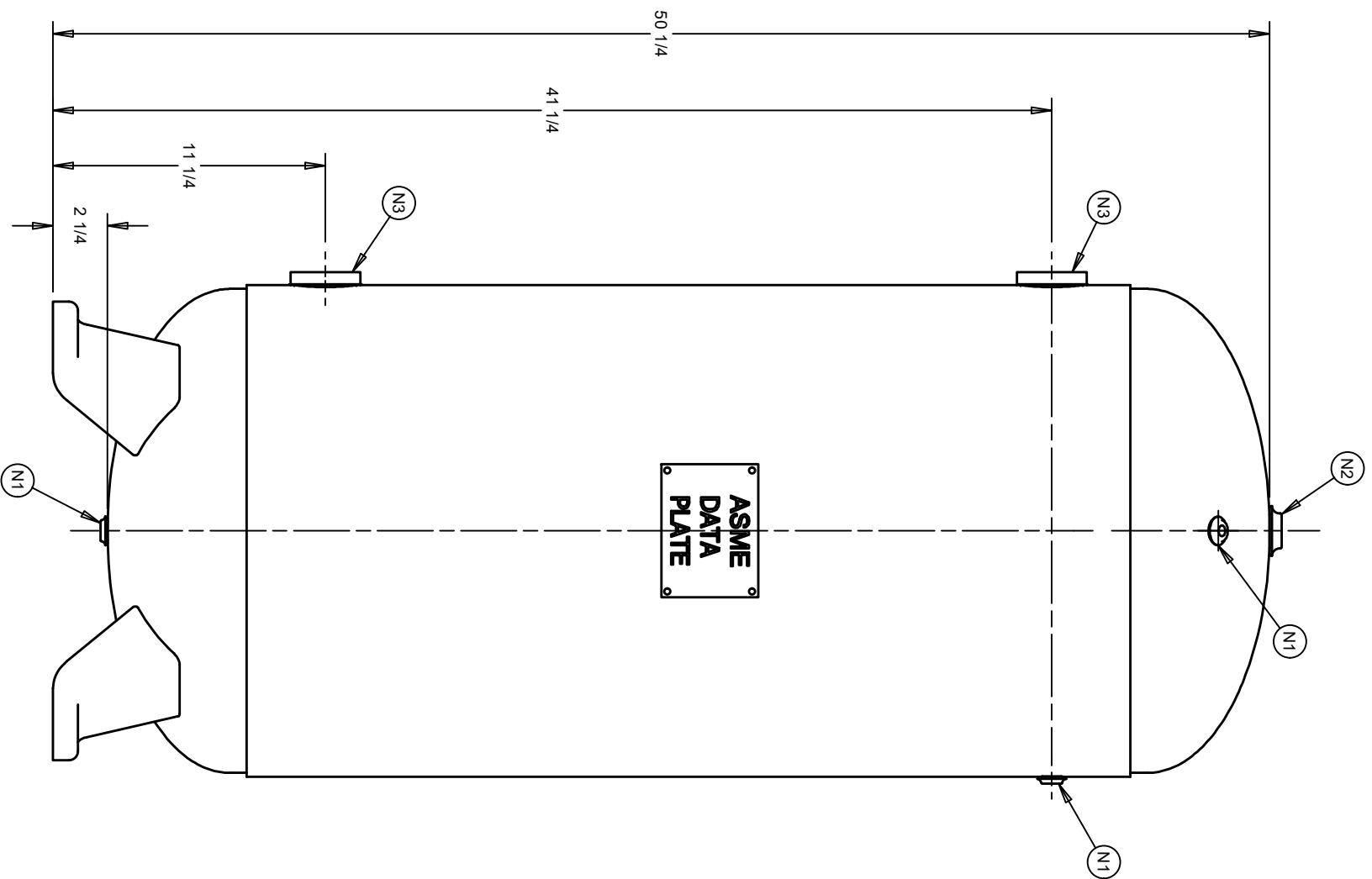
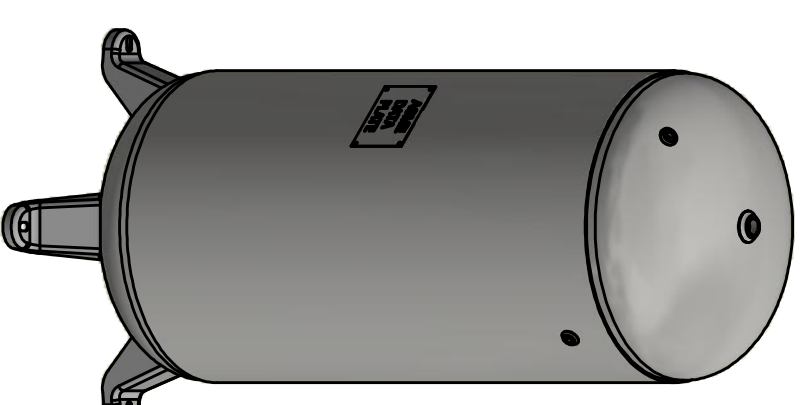


NOZZLE CHART	
NOZZLE ID	NPT SIZE
N1	1/4
N2	3/4
N3	2



DESIGN INFORMATION		VALUE
SPECIFICATION		20 I.D.
DIAMETER O.D./I.D.		
MAWP	200 PSI AT 400°F	
MDMT	-20°F AT 200 PSI	
CAPACITY	APPROX 60 GALLONS	
SHIPPING WEIGHT	148 LBS	
CRN	M3329.5C	

TITLE
VERTICAL AIR RECEIVER



CUSTOMER	STOCK	DRAWN	KAT	CHECKED	DMM	DRAWING NO	A10043	REV	C13
TYPE	ASME	DATE	9/1/2016	DATE	9/19/2016	SIZE: B	SHEET 1 OF 1		

REV	DESCRIPTION	BY	DATE
C13	ISSUED		

(BUILT IN ACCORDANCE WITH LATEST EDITION OF SECTION VIII DIV 1 ASME CODE)
THIS DRAWING & SPECIFICATIONS ARE PROPERTY OF SPVG AND MAY NOT BE COPIED, REPRODUCED OR USED IN WHOLE OR PART AS A BASIS FOR DESIGN MANUFACTURE OR SALE WITHOUT PRIOR PERMISSION FROM SPVG.