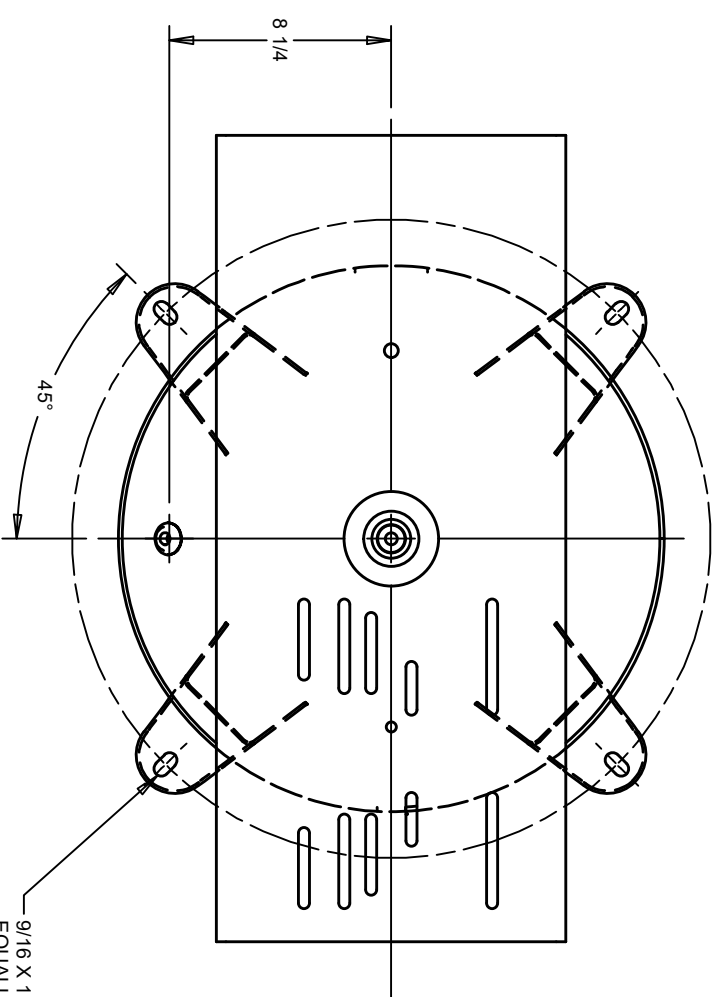
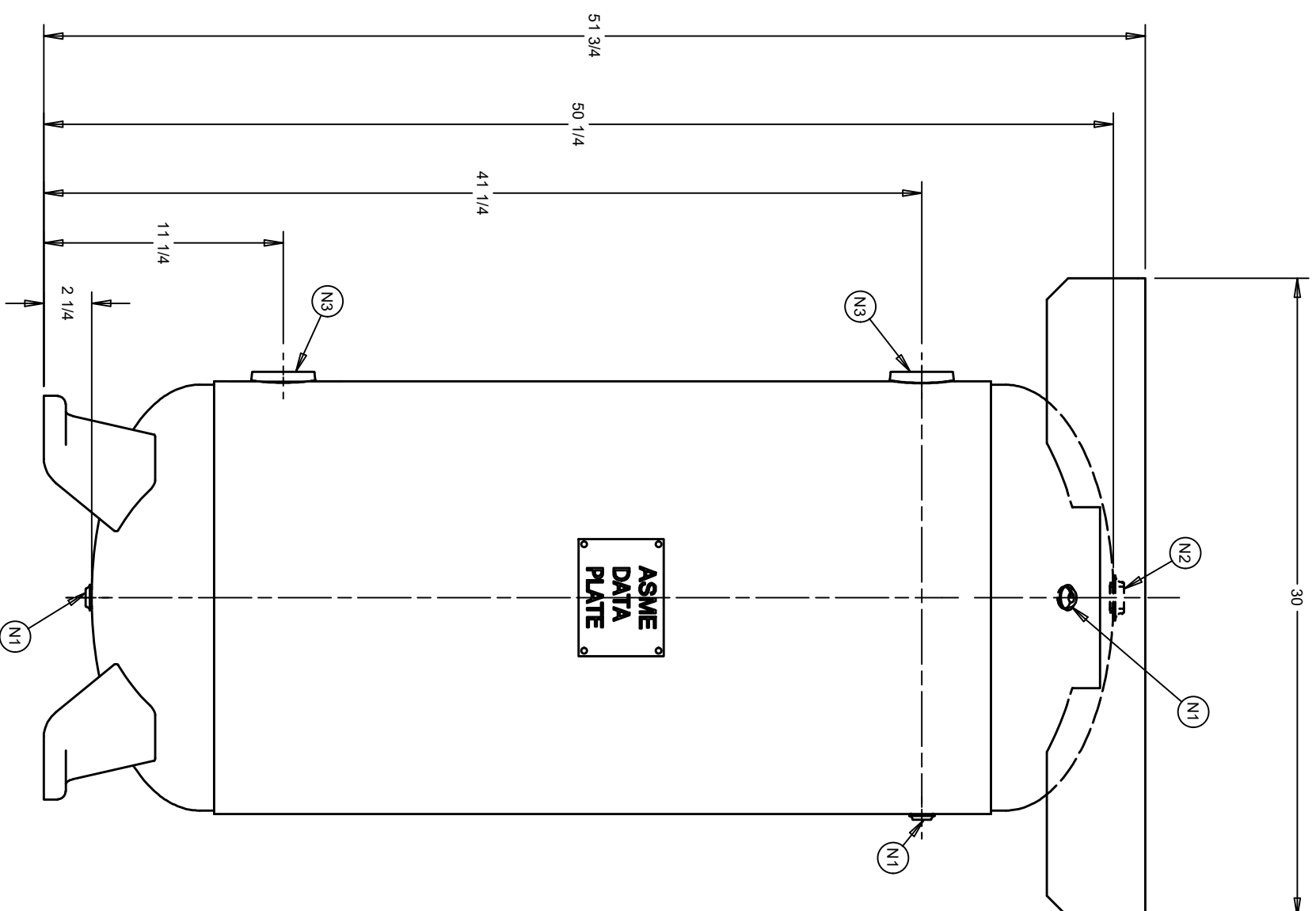
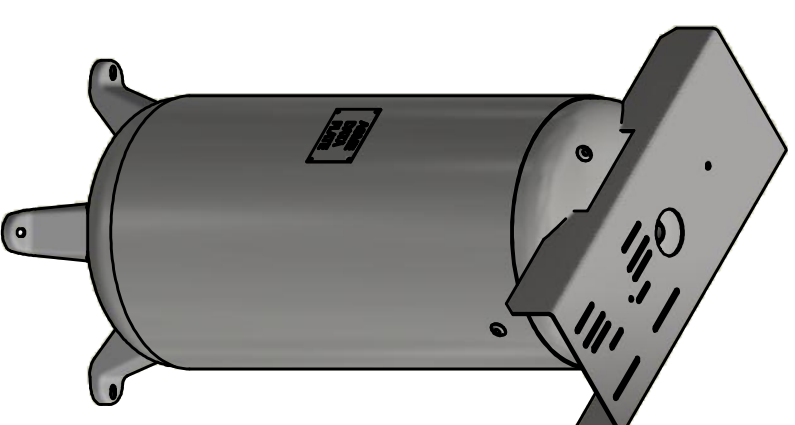


NOZZLE CHART	
NOZZLE ID	NPT SIZE
N1	1/4
N2	3/4
N3	2



9/16 X 1 SLOT 4-PLACES  
EQUALLY SPACED  
ON A 23 3/4 DIA B.C.

TOP VIEW

DESIGN INFORMATION		VALUE
SPECIFICATION		20 I.D.
DIAMETER O.D./I.D.		
MAWP	200 PSI AT 400°F	
MDMT	-20°F AT 200 PSI	
CAPACITY	APPROX 60 GALLONS	
SHIPPING WEIGHT	184 LBS	
CRN	M3329.5C	

TITLE  
VERTICAL AIR RECEIVER



CUSTOMER  
STOCK

DRAWN	CHECKED	DRAWING NO	REV
KAT	DMM	A10044	B14

(BUILT IN ACCORDANCE WITH LATEST EDITION OF SECTION VIII DIV 1 ASME CODE)  
THIS DRAWING & SPECIFICATIONS ARE PROPERTY OF SPVG AND MAY NOT BE COPIED, REPRODUCED, OR USED IN WHOLE OR PART, AS A BASIS FOR DESIGN MANUFACTURE OR SALE WITHOUT PRIOR PERMISSION FROM SPVG.

REV	DESCRIPTION	BY	DATE
B14	ISSUED		

TYPE	ASME	SIZE: B	SHEET 1 OF 1
ASME			